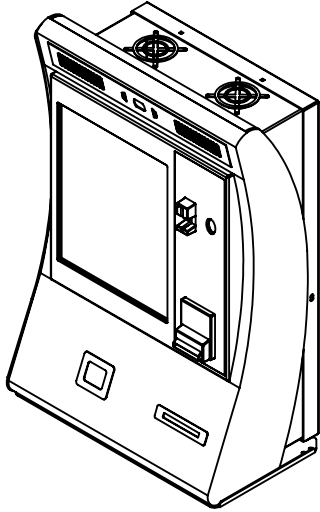


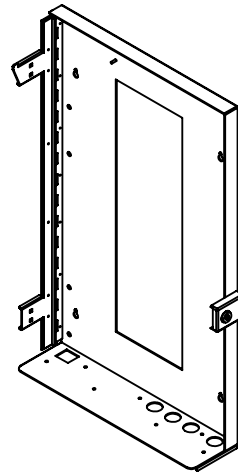
Installation Instructions

Express Kiosk Wall Mount

Note: This operation requires 2 technicians for safe installation.
Installed weight: 150 lbs.



Express Kiosk Wall Mount Unit



Wall Mount

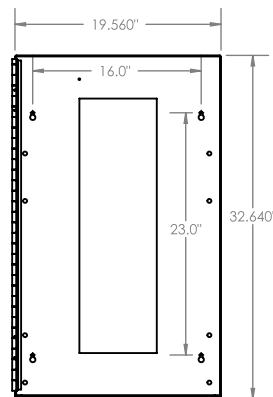
Required Tools:

- 1) Power drill and drill bit
- 2) Philip screw driver
- 3) 1/4" Ratchet
- 4) 1/4" Socket



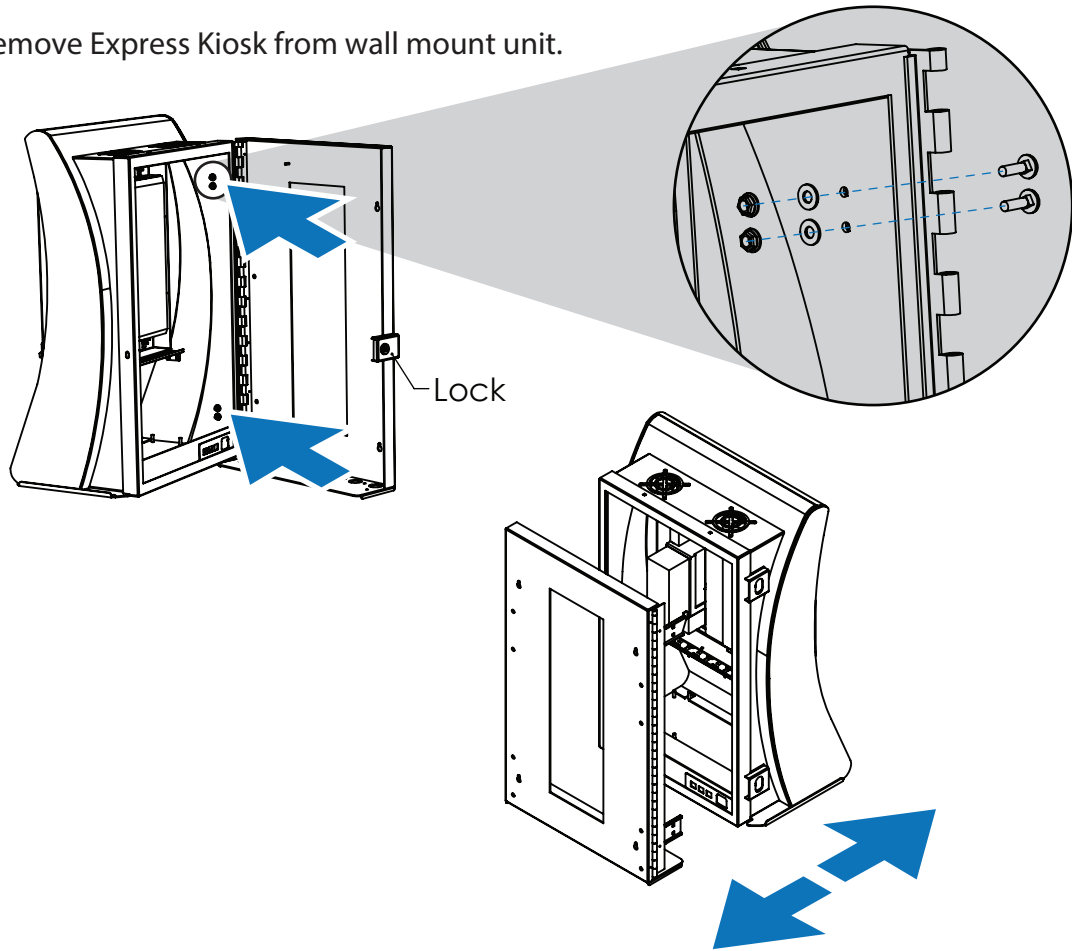
Provided Hardware:

- 1) Mounting template
- 2) Driller toggle (x2)

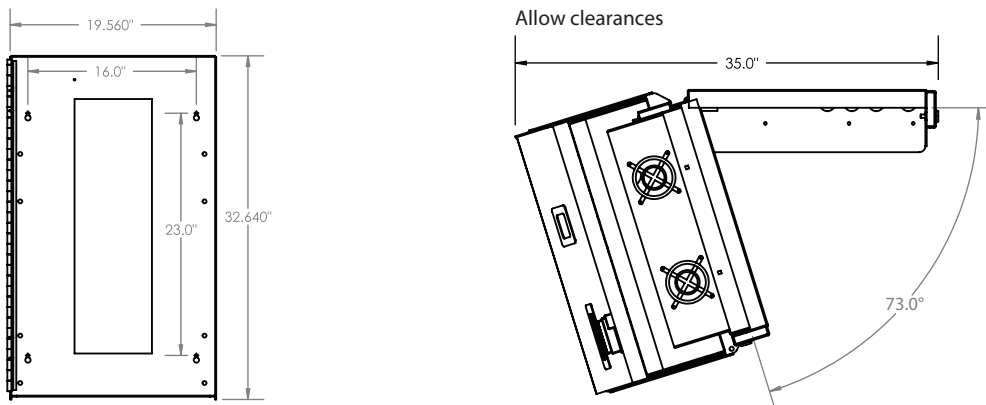


Steps

1. Remove Express Kiosk from wall mount unit.



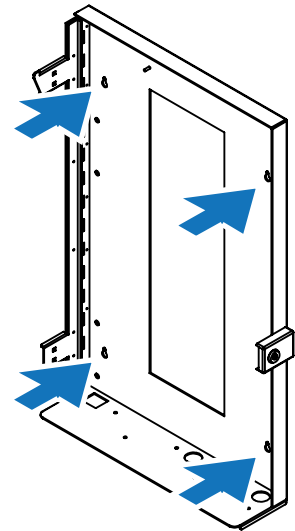
2. Affix the mounting template, included in the shipping carton, to the wall to guide the placement of the mounting bolts or screws.



3. Install the hardware required for mounting the kiosk using the four measured keyholes on the full scale mounting template as a guide.

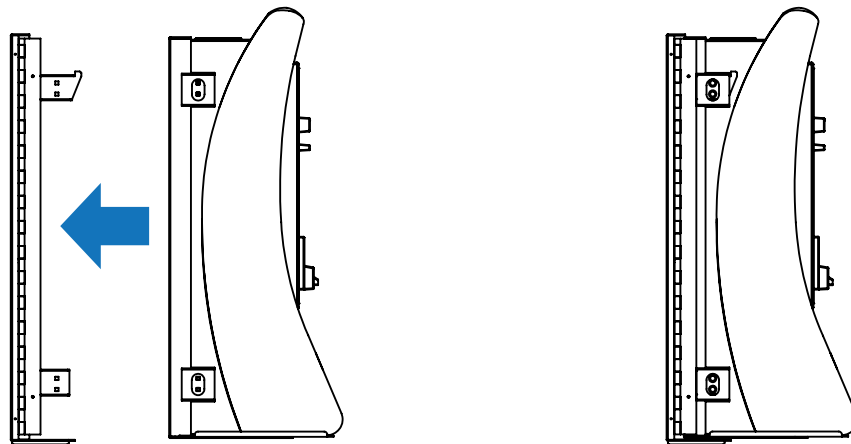


3. Mount the Wall Unit to the mounting bolts previously installed.



4. Tighten the mounting bolts securely.

5. Attaches Express Kiosk to wall mount unit.



6. Tighten the mounting bolts securely.

