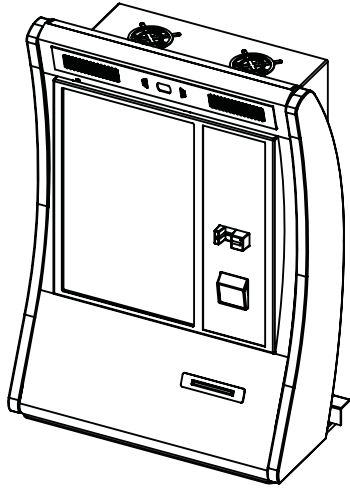


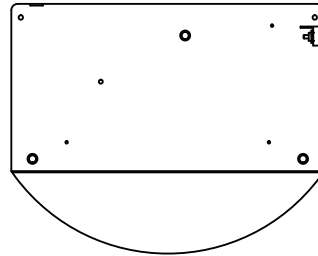
Express Desktop Swivel Installation Guide

Note:

This operation requires 2 technicians for safe installation.



Express Support Kiosk



Desktop Swivel Base

Required Tools:

- 1) Power drill and drill bit
- 2) Philip screw driver
- 3) 1/4" Ratchet
- 4) 1/2" Socket
- 5) 9/16" Socket



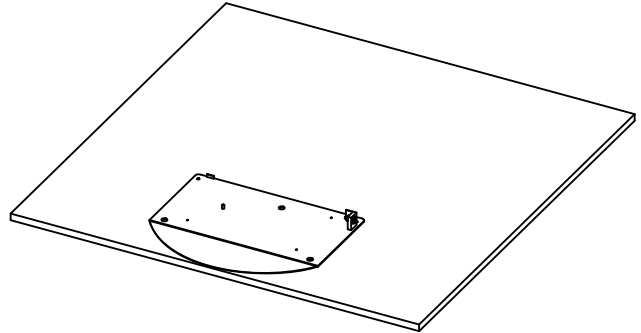
Provided Hardware:

- 1) 3/8-16x2" Phil Flat Mach SC (x3)
- 2) 3/8-16" Nut (x3)
- 3) 3/8-16" Washer (x3)
- 4) 5/16" Washer (x1)
- 5) 5/16" Locknut (x1)

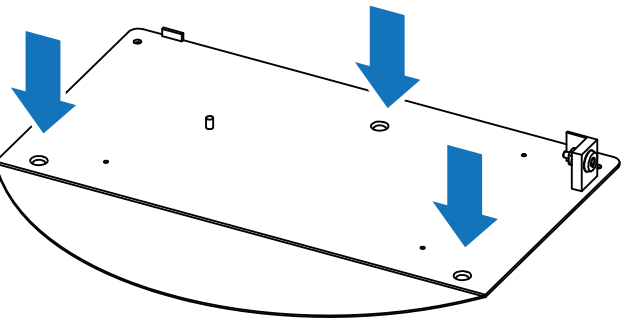


Steps

1) Place desktop swivel base in desire position



2) Drill 3 mounting holes into flat surface



3) Secure desktop base onto drilled surface.

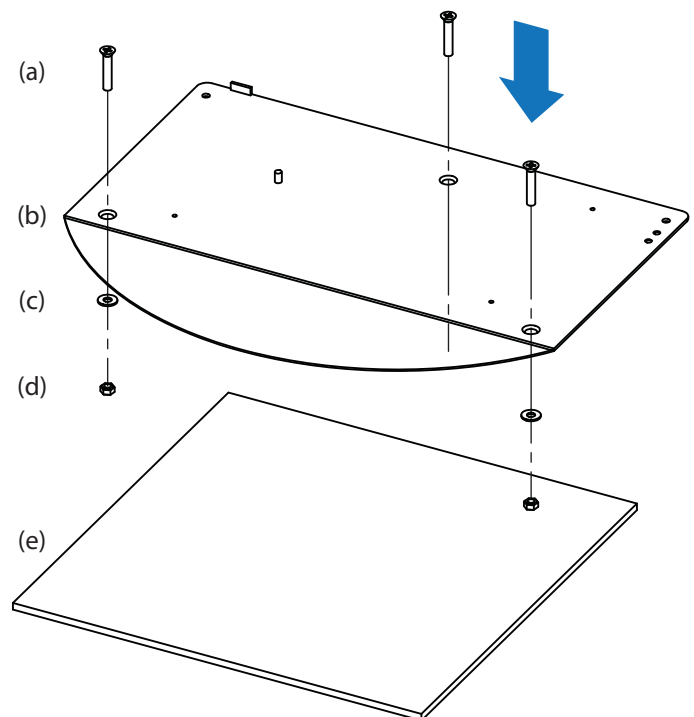
a) 3/8-16x2" Phil Flat Mach SC

b) Desktop Swivel Base

c) 3/8-16" Washer

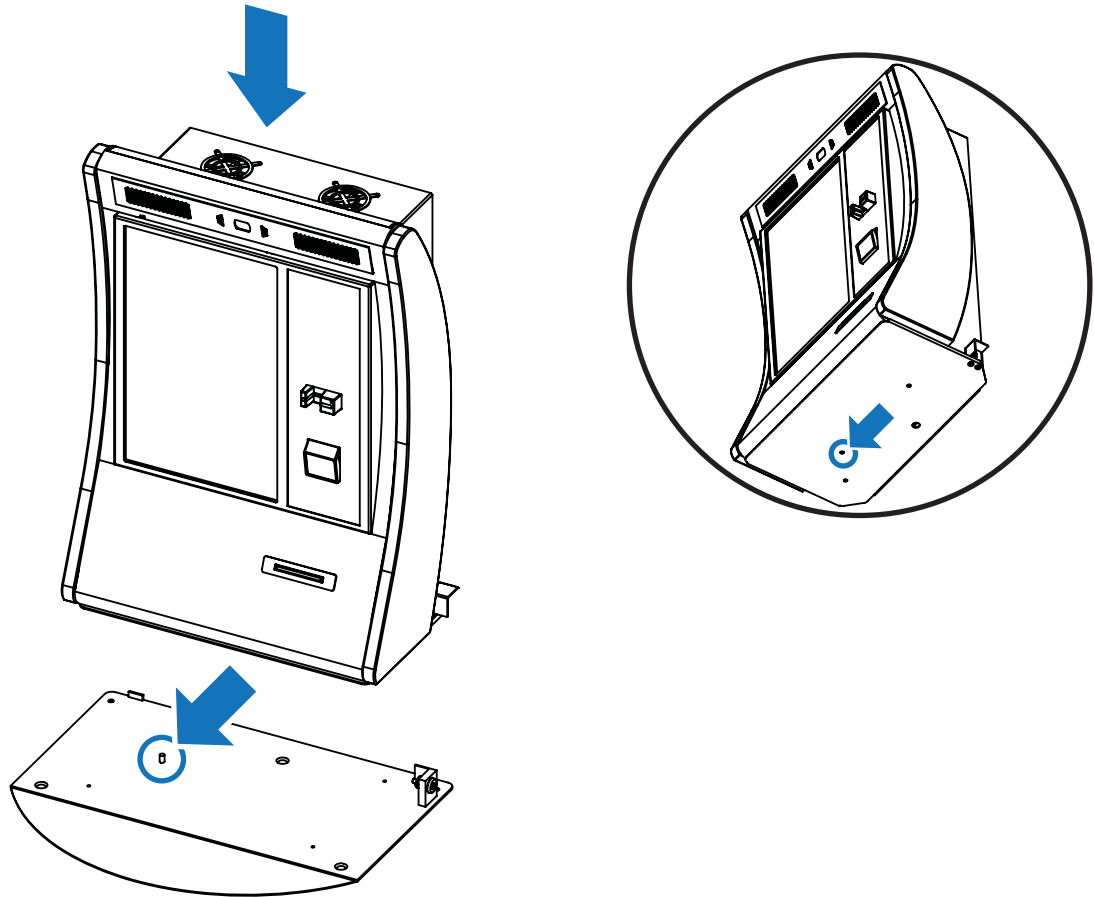
d) 3/8" Nut

e) Drilled table top or desk



Steps

- 4) Using 2 technicians align and set kiosk onto swivel base.
Align kiosk pivot opening with desktop pivot stud.



- 5) Tighten locknut to desktop's stud to secure kiosk.

a) 5/16" Locknut

b) 5/16" Washer

