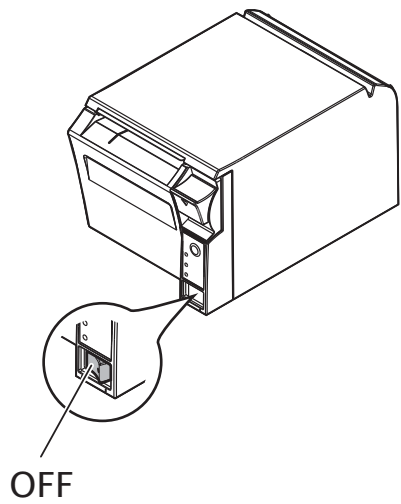




1

1

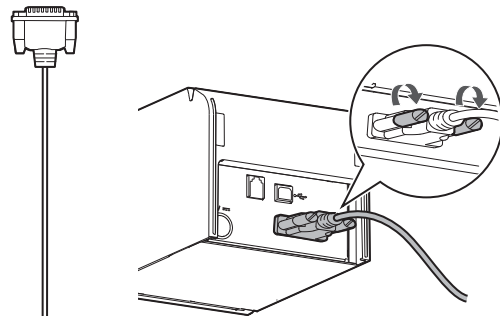


2

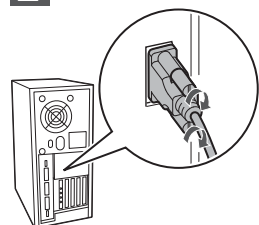
RS-232



1



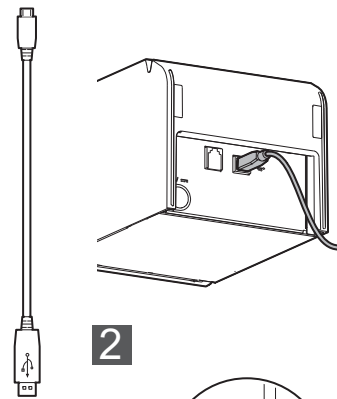
2



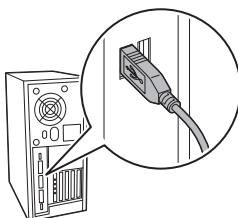
USB



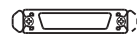
1



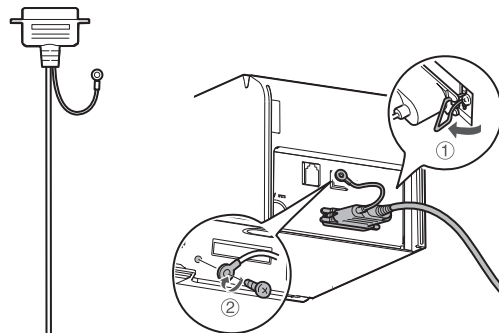
2



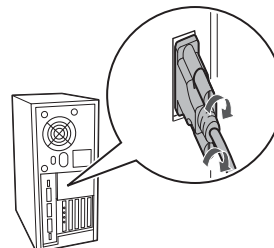
IEEE1284



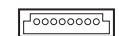
1



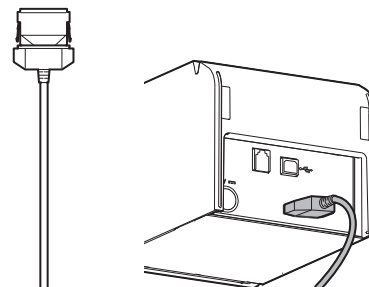
2



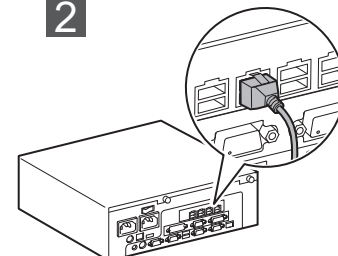
USB PlusPower



1



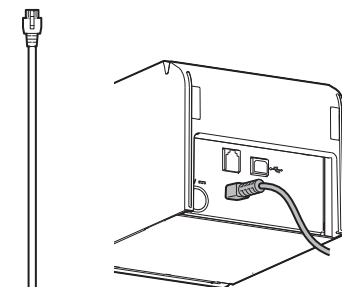
2



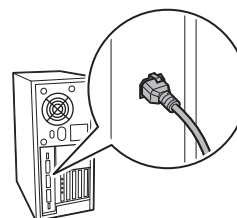
10/100BASE-TX



1

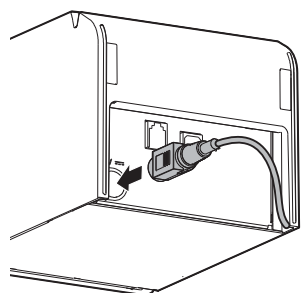


2

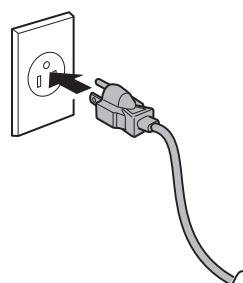


3

1

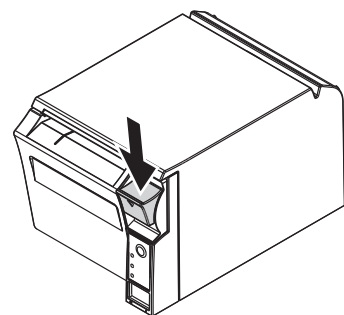


2

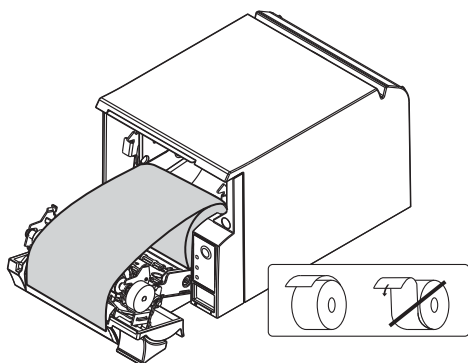


4

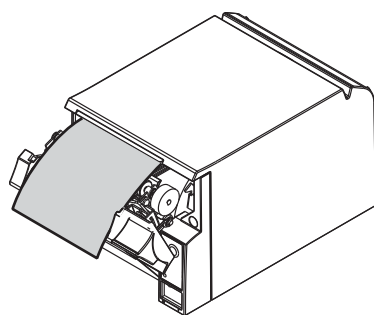
1



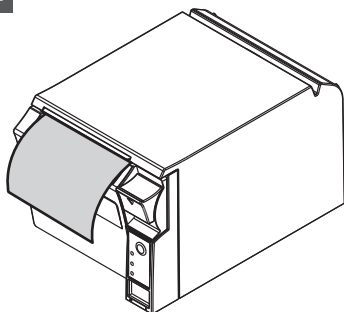
2



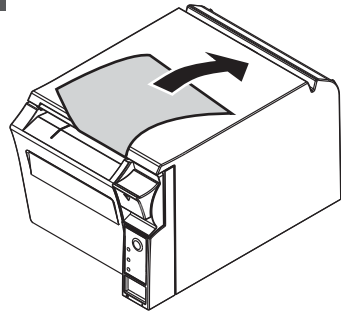
3



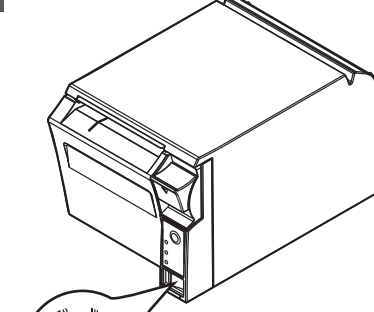
4



5



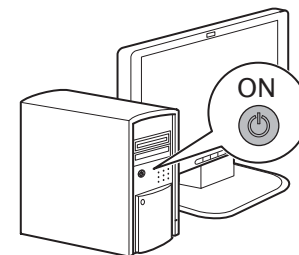
6



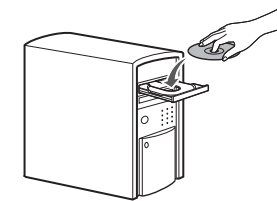
ON

5

1



2



3

